

Tested Impact Energy
according to TÜV
400 Joule

TÜV certified and compliant with DIN EN 15512, DIN EN 15635 and the Australian standard AS 4084.

ALFA

Rack guard



Description

The d-flexx ALFA rack guard is a flexible and reliable solution designed to protect warehouse racking from damage caused by forklifts, pallet trucks, or other machinery. This protective guard is engineered to absorb and deflect impacts, significantly reducing the risk of structural damage to rack legs, which can compromise the safety and integrity of storage systems. The d-flexx ALFA is highly durable and suitable for use in various industrial environments. Its design allows easy installation and maintenance, ensuring minimal downtime for your operations.

The d-flexx ALFA rack guard is TÜV certified and complies with DIN EN 15512 standards, ensuring that it meets all relevant safety and quality regulations for protecting warehouse and storage equipment. This makes it ideal to enhance safety measures and prevent costly damages. With the d-flexx ALFA Rack guard, rack systems are safeguarded, maintenance costs are reduced, and ensure a safer working environment for your employees.

Key Features

- Impact-resistant design to protect rack legs from collisions
- TÜV certified and compliant with DIN EN 15512 and DIN EN 15635 standards
- Easy to install
- Cold stores and warm environments

Technical Information

| | |
|--------------------------------------|--|
| Operational Temperature Range: | -40°C up to +50°C / -40°F up to +112°F |
| Ignition Temperature: | 350 - 360°C / 662 - 680°F |
| Flash Point: | 350 - 360°C / 662 - 680°F |
| Toxicity: | Nontoxic |
| Chemical Resistance: | High-ISO / TR 10358 |
| UV Stability | Gray scale: 5/5 |
| Changes to material after 5 years: | Blue Wool scale: 8/8 Tensile strength: No changes |
| Static Rating (surface resistivity): | 1015-1016 Ω |
| Standard Warranty: | 1 Year |

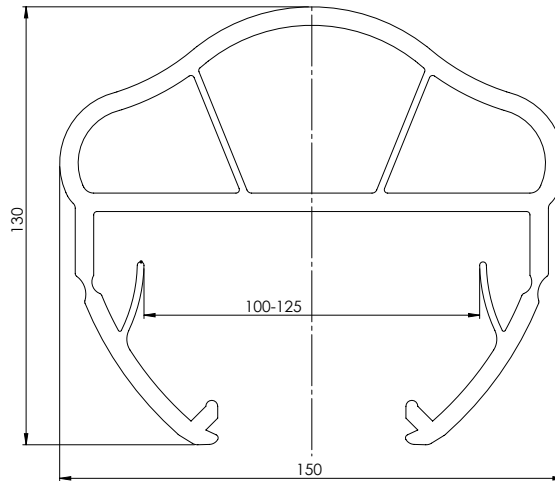
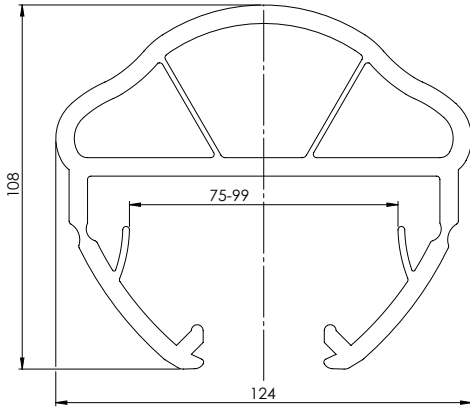
Scan or click to review



Maintenance Guide
Assembly Guide
Videos
Tender Text
Warranty

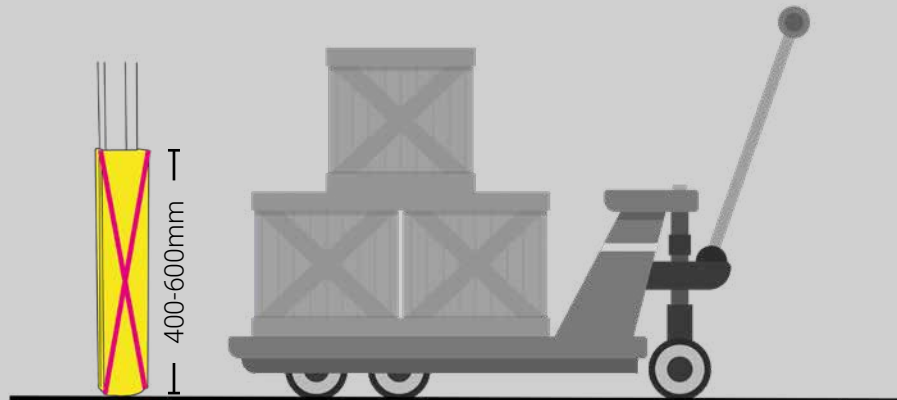


Specifications



Measurements mm vs in

| | mm | in |
|----------|---------|-----------|
| Size A | 75-99 | 2,95-3,90 |
| Size B | 100-125 | 3,94-4,92 |
| Width | 124 | 4,88 |
| Depth | 108 | 4,25 |
| Height 1 | 400 | 15,75 |
| Height 2 | 600 | 23,62 |



How to choose the precise fit

When selecting the ideal RackGuard profile for your pallet racking system, it's essential to choose the right size and width to ensure maximum protection and a secure fit. RackGuard profiles come in two standard lengths, 400mm and 600mm, providing options for various rack heights. Additionally, the profiles are available in two width ranges: 75-99mm and 100-125mm, allowing you to match them perfectly to the dimensions of your upright legs.

To find the perfect solution for your racking system, contact our team.